

Data Sheet

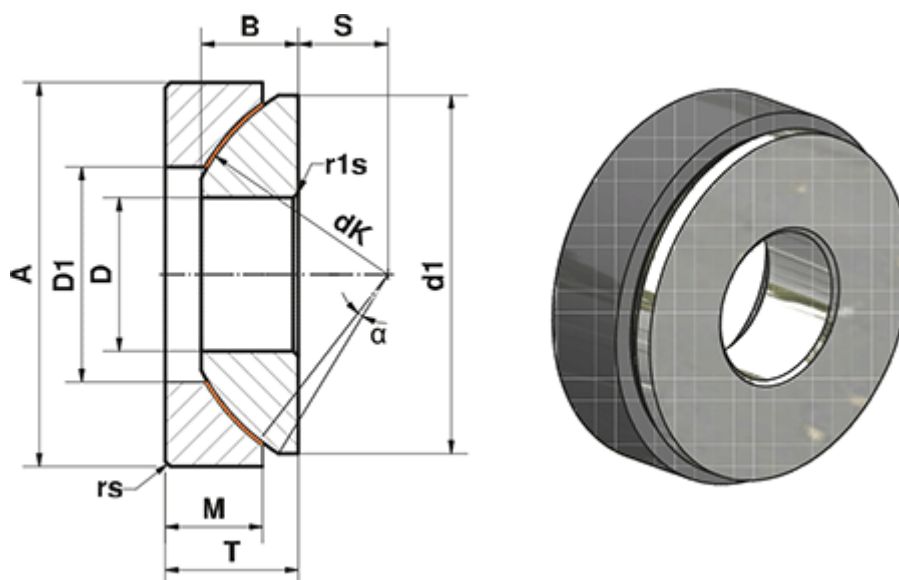


Article number: 03450025

Description: Fluro Heavy Duty Spherical Plain Bearing GE 25 AWE
Hole Ø25

Note: 25

Measures



A	= 62	M	= 16.7
a (degrees)	= 5	rs, r1s min	= 1
B	= 16.5	S	= 14
D	= 25	Static load C0 (kN)	= 718
D1	= 35	T	= 22.5
d1 min	= 58.5	Weight (g)	= 415
dK	= 68		
Dynamic load C (kN)	= 431		